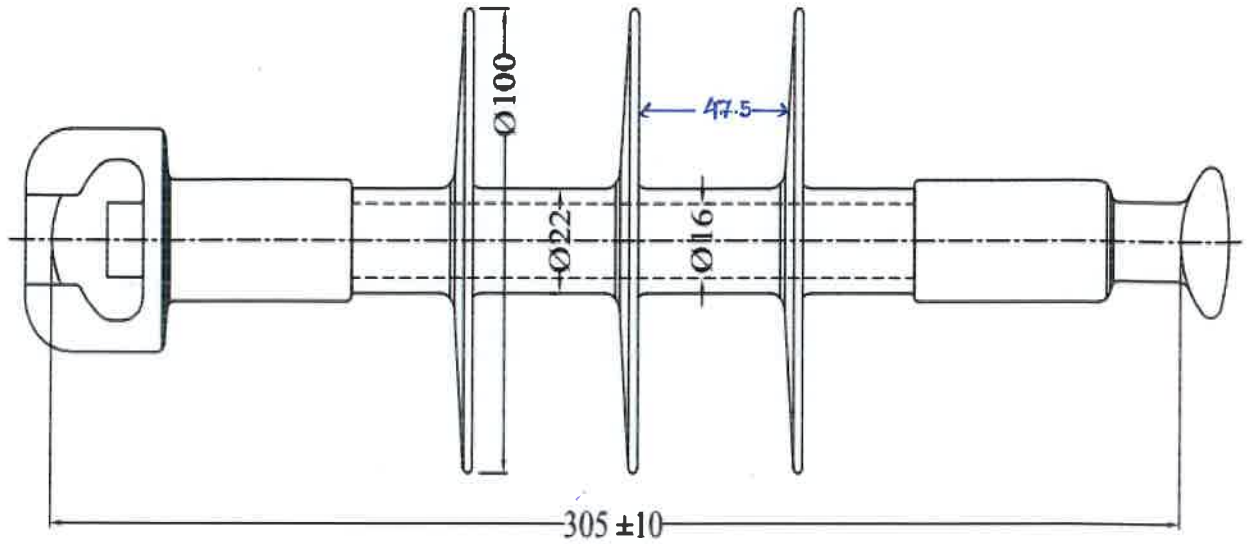


11KV 70KN POLYMER TYPE DISC INSULATOR



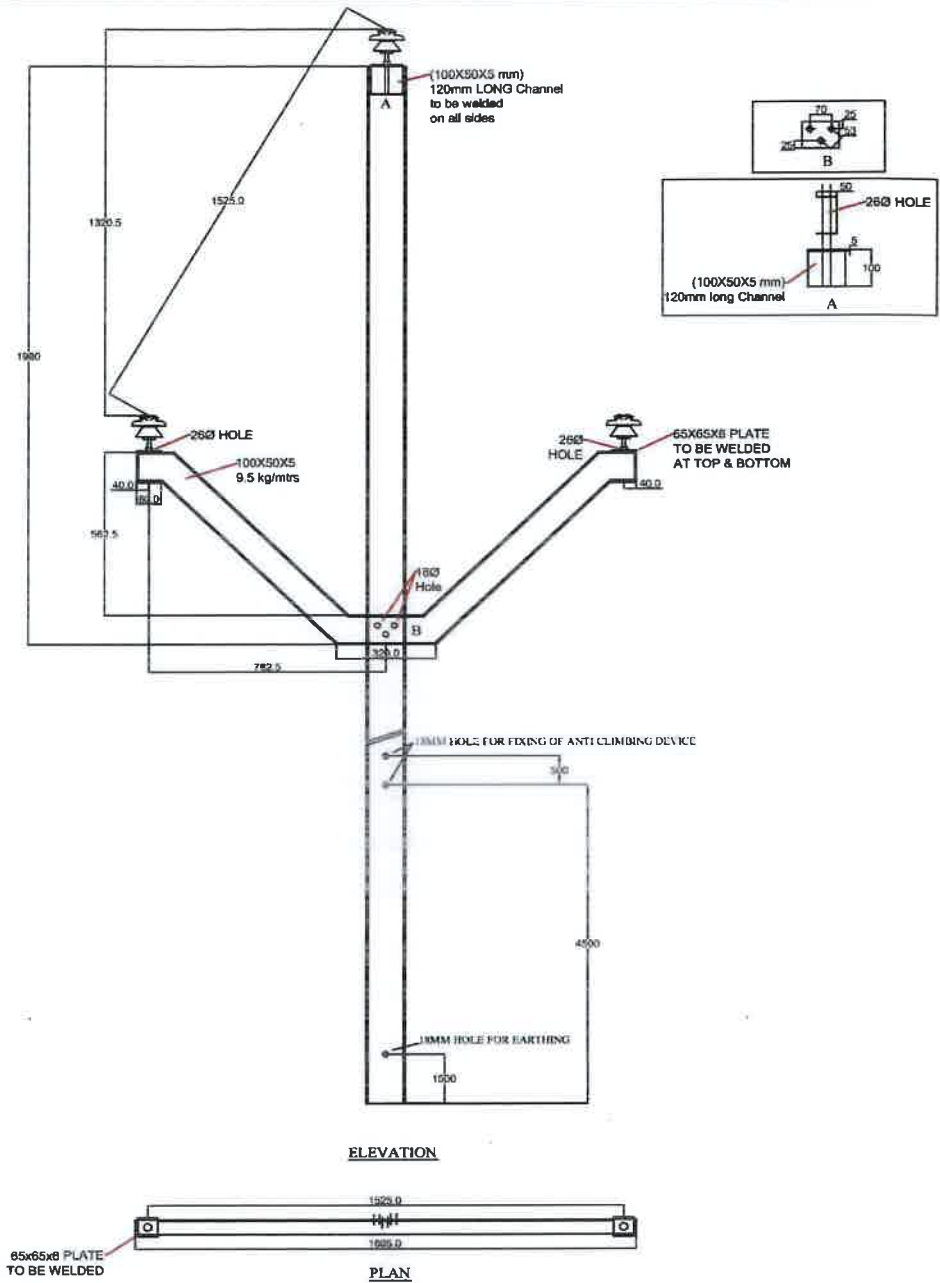
ALL DIMENSIONS ARE IN "MM".

TPNODL
TP NORTHERN ODISHA DISTRIBUTION LIMITED
(A Tata Power and Odisha Government Joint Venture)

Anup Samal.
17-02-2022
Anup Kumar Samal
Lead Engineer-Plant Engineering
Emp. Code:-520632, TPNODL


17/2/2022
Tapan Kumar Behera
AGM-Plant Engineering
Emp. Code:-117914, TPNODL

33Kv V-CROSS ARM FOR RS JOIST



TPNODL

TP NORTHERN ODISHA DISTRIBUTION LIMITED

(A Tata Power and Odisha Government Joint Venture)

Anup Samal

17-02-2022

Anup Kumar Samal

Lead Engineer-Plant Engineering

Emp. Code:-520632, TPNODL

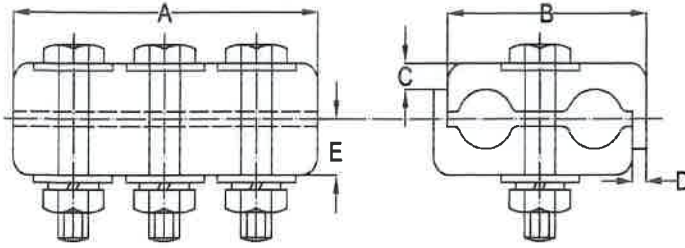
[Signature]
17/2/2022

Tapan Kumar Behera

AGM-Plant Engineering

Emp. Code:-117914, TPNODL

PG CLAMP



TECHNICAL DATA:

1. ALUMINUM ALLOY - LM-6
2. BOLT & NUT IS -1367(HDG)
3. SPRING & FLAT WASHER - ELECTRO GALVANIZED
4. TOLERANCE +5%
5. ALL DIMENSION ARE IN MM.

CONDUCTOR NAME	NOMINAL AREA(mm ²)	CONDUCTOR DIA	DIMENSION IN mm					NO. OF BOLTS
			A	B	C	D	E	
DOG-DOG	100	12.78 -12.78	100	65	10	4.5	15	3, M12 (HDG)
RACON-RACON	80	11.43-11.43	100	58	10	4.5	15	3, M12(HDG)
RABBIT-RABBIT	55	9.45-9.45	95	54	10	4.5	13	3, M12(HDG)
ZEBRA-ZEBRA	420	28.62-28.62	150	102	15	5	18	4, M16(HDG)
ZEBRA-PANTHER	420-230	28.62-19.70	150	102	15	5	18	4, M16(HDG)

DOG-DOG	100	12.78-12.78	100	65	10	4.5	15	4, M12 (HDG)
---------	-----	-------------	-----	----	----	-----	----	--------------

TPNODL

TP NORTHERN ODISHA DISTRIBUTION LIMITED

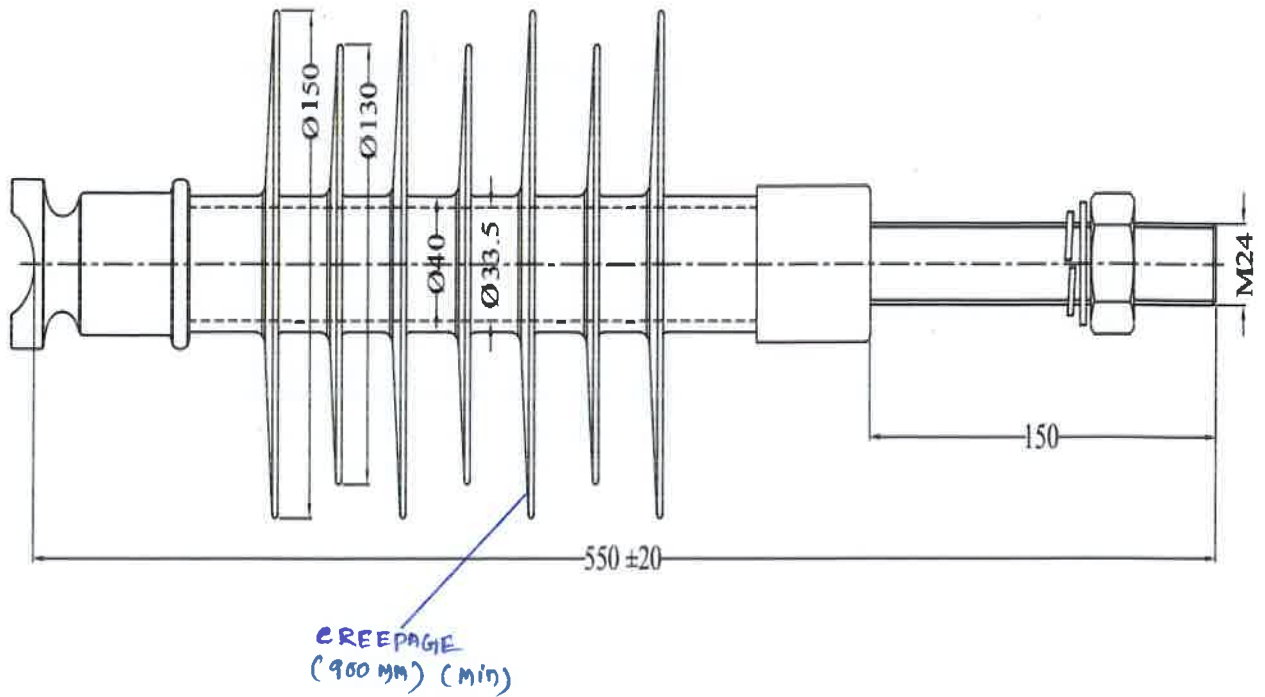
(A Tata Power and Odisha Government Joint Venture)

Anup Samal
 17-02-2022
Anup Kumar Samal
 Lead Engineer-Plant Engineering
 Emp. Code:-520632, TPNODL

17/2/2022

Tapan Kumar Behera
 AGM-Plant Engineering
 Emp. Code-117914, TPNODL

33KV 10 KN POLYMERIC PIN INSULATOR



TPNODL
TP NORTHERN ODISHA DISTRIBUTION LIMITED
(A Tata Power and Odisha Government Joint Venture)

Anup Samal.
17.02.2022
Anup Kumar Samal
Lead Engineer-Plant Engineering
Emp. Code:-520632, TPNODL

17/2/2022

Tapan Kumar Behera
AGM-Plant Engineering
Emp Code:-117914, TPNODL